

**CROSS**  
AGRICULTURAL ENGINEERING

## Cross Slurry Tanker Range

Capacities from 1,150 gals (5,228 litres) to 6,000 gals (27,276 Litres)



Cross Agricultural Machinery – It's the Obvious Choice



# Cross Slurry Tanker Range

Capacities from 1150 gals (5228 litres) to 6000 gals (27,276 Litres)



The Cross Slurry Tanker range is built to the highest standards by a team of dedicated engineers using quality materials and manufactured in the latest high-tech manufacturing facilities. Our slurry tankers can deliver class leading levels of performance and reliability to exceed the expectations of the most demanding users.

## Tanker Build

Our quality slurry tanker range is manufactured in capacities from 1150 gallons (5,228 litres) to 3750 gallons (17,048 litres) to cover a wide range of farming needs. We can also build a slurry tanker to suit your specific specifications giving you the benefits of our flexible manufacturing process.

Cross slurry tankers are manufactured using 6mm high quality steel. Our tankers are mounted on a strong chassis with a bolted on drawbar for extra strength. To provide a high level of corrosion resistance all Cross slurry tankers are given two coats of priming paint followed by two finish coats giving long lasting durability. We can also galvanise your tanker including models up to 3,750 litres (17,048 litres) capacity.

To provide a high level of corrosion resistance all Cross slurry tankers are given two coats of priming paint followed by two coats of high gloss two pack finish coat paint. Tankers are also oven baked after spraying takes place giving the tanks long lasting durability. We can also galvanize your tanker including models up to 3,750 gallons (17,047 litres).



## Process

The Cross slurry tanker range is specifically designed to make the most of your slurry while saving you money in the long run. Cross agricultural Engineering have a huge knowledge on slurry application and the relevant technology associated with it. This means that each slurry tanker will be built to suit your specific needs on your farm while saving you money. Savings associated with slurry application include: a reduced fertiliser bill, a quicker uptake of nitrogen, more grass growth (more feed) etc.



## Range of Tankers

All Cross Tankers are built to the customers specifications. There are 3 types of tankers which start as the base models to the customers build: Non-Recessed, Recessed and Tandem. These tankers can have a range of optional extras added on at the time of ordering. Extras include examples such as: Autofill arm, trailing shoe, galvanising etc.

Tri axle tankers can also be purchased. For this option please discuss with a Cross sales representative.

All Cross slurry tankers come as standard with rear and side lights (indicator, brake and tail lights), hydraulic brakes, quick attach filler hose coupling, 150mm (6in) filler hose attachment with quick attach system, heavy duty brass spreading valve, two sight glasses, full steel wheel mudguards, a 90 degree splash plate spreading system and 4.5 meters (15ft) filler hose. All of the 500mm (20") rear doors are galvanised for long life protection.



### Non-Recessed Tankers

The Cross Non-Recessed tanker range comes in sizes from 1150 gals to 2000 gals. This range consists of a small wheel tanker where no wheel arch is cut into the tank wall. There are many options of wheel sizes in this range and any wheel/axle combination can be fitted at the buyer's request. All these tankers come with an 8000 litre Hertell pump as standard but can be upgraded if needed. The 6mm steel tanker and box iron drawbar makes this tank one of the best built on the market.



### Recessed Tankers

The Cross Recessed tanker range comes in sizes from 2000 gals to 3000 gals. This range consists of a large wheel tanker where the wheel arch is cut into the tanker. The most common wheel sizes are 28.1 x 26 or 30.5 x 32 but any size is available on request. The most popular tanker spec comes with a sprung drawbar and a commercial axle but this can be removed for lower spec parts at the buyer's request. All tanks are painted with 2 pack oven backed paint and have a galvanized door as standard. Fully galvanized tanks can also be ordered.



### Tandem Tankers

The Cross Tandem tanker range comes in sizes from 3000 gals to 4500 gals. This range of tankers is built on a modular system. The tank is bolted to the chassis and can be removed to fit other implements if you wish. This range of tankers comes galvanized as standard but can be painted if the buyer requests so. All tankers in this range come with a sprung drawbar and sprung axle bogey system. The most common spec tankers are fitted with a rear steer axle. Tyres sizes on the tandem tankers range from 550 to 710 tyres. All tandem tankers are fitted with full spec commercial running gear (420mm x 180mm brake shoes)



## Vacuum Pumps

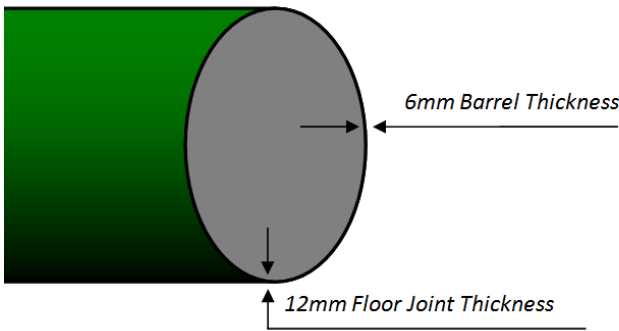
Cross Agricultural Engineering uses Spanish built high quality Hertell Vacuum pumps across its range. These pumps have provided a very reliable service for many years. They come with a hydraulic change-over to change from vacuum to pressure as standard. This can be operated from the seat of the tractor. This has 2 advantages: Extra safety (not going near the pump to changeover i.e. staying out of the PTO area) and also to allow vacuum or pressure to build up when you are filling or spreading.

The casing and rotor on a hertell pump are made from steel and not cast iron. This means there is a much lower risk of cracking if the pump over heats



## Tank Structure

All Cross Tankers are manufactured from high quality 6mm Steel. Designed and rolled in house, Cross Agricultural Engineering ensure one continuous barrel roll from start to finish. Every Cross tanker has a 12mm floor joint to ensure maximum strength. Both dished ends are also pressed into the tank cylinder to achieve 12mm joints all around. All Cross tanks are fitted with internal chassis rails. Internal strength bands are also rolled inside the circumference of the tanker. This feature is added to ensure maximum strength and stop the risk of tank collapsing during negative pressure.



## Wheels

All Cross Tankers come with the highest quality wheels and tyres as standard. Each tanker has a standard wheel size and make but any tyre wheel combination can be fitted at the buyer's request.

Most tyres are 40km/h rated but 50/60 km/h tyres can be fitted if necessary. The rims are made to suit the axle and tyre. There are 2 stud pattern options (8 stud & 10 Stud).





## Cross / Bomech Trailing Shoe

The Cross/Bomech trailing shoe is available in working widths from 5.2 meters – 24 meters with a row width of 22cm. The machine has an overall transport width of 2.55 meters. The trailing shoe system has a hydraulically powered macerator to cope with any heavy duty material in the slurry.

The drive to the macerators spring loaded self-sharpening knives has an auto reverse feature to ensure that the system has a constant flow of slurry. There is no extra power requirement for a trailing shoe tanker compared with the equivalent splash plate tanker. The self-sharpening knives means that maintenance costs are low. The Cross/Bomech trailing shoe is fitted with a stone trap which adds to the protection supplied by the Cross in tank stone trap.

The Cross/Bomech trailing shoe can be fitted to any tanker with the Cross chassis mounting system or any 3 - 4 point tanker linkage system. The Cross/Bomech trailing shoe gives a much more accurate and consistent spread pattern than the splash plate system. It also leaves the grass in a much sooner grazing condition.

During transport the trailing shoe turns up 180° to prevent slurry leaking on the road. The shoe is fitted with hardened stainless shoes and rubber boots to prevent and minimise blockages.

The overall weight of the Cross/Bomech shoe is just 660kg and is made from high strength spring steel. This leaves it easy on the tanker and very strong.

## Options to suit your needs

- Extra filler point complete with brass valve & quick attach
- Extra suction hose and or brackets
- Longer 20ft suction hose in lieu of 15ft
- Wash down kit with quick attach & nozzle
- Stone trap with 150mm(6" large valve)
- Small stone trap blank cap
- Swivel hitch
- Work lights
- Flashing beacon light
- One number plate holder & light
- Sprung Drawbar
- 10000 litre/min pump in lieu of 8000 litre/min pump
- Hydraulic control kit for vacuum pump
- Wide angle PTO or shear pin PTO
- 750mm (30") rear door in lieu of 500mm(20")
- Tool box on side of tank 1200mm x 600mm x 600mm (4ft x 2ft x 2ft)
- Fresh water tank
- Air or hydraulic brakes or a combination of both
- Commercial Axle (high speed)
- Auto Fill arm
- Electric Controls for auto fill arm
- Rain Gun
- Hydraulic brake away brakes
- Hot dip galvanized





# Cross Slurry Tanker Range

Capacities from 1150 gals (5228 litres) to 6000 gals (27,276 Litres)

## Auto Fill Arm

All Cross Auto Fill Arms are dual side systems. This means they can be used both left and right by simply turning the bolt on filling head. Most tanker manufactures only give the option of one side but with the tanker there is no more reversing into yard to get the autofill on the right side.

All Auto Fill Arms are fully galvanised even on the painted tankers. This improves the life time of the arm greatly.

The pod for the Auto Fill is stored neatly on the side of the tanker for transport and can be adjusted up and down to suit your ground elevations.



## Rain Gun

Cross tanker can be also ordered with a rain gun system. This means you have an extra centrifugal pump mounted beside the vacuum pump but all driven off the one gearbox. This system allows for spreading over fences in wet conditions.

Another use for the Rain Gun pump is to act as an umbilical system. This pump has a diverter valve which allows you to pump from the tanker, through a hose, to the umbilical system on the tractor. This is ideal where you mount your trailing shoe on the tractor directly and park the tanker at the gate.





# Cross Slurry Tanker Range

Capacities from 1150 gals (5228 litres) to 6000 gals (27,276 Litres)

## Cross Agricultural Engineering – Slurry Tanker – Specifications:

Model	1150	1350	1550	1750	2000	2250
Capacity	1140 gallons – 5182 litres	1320 gallons – 6000litres	1522 gallons – 6919 litres	1722 gallons – 7828litres	2084 gallons – 9474 litres	2211gallons – 10051 litres
Wheel Size	385 x 65 x 22.5	550 x 60 x 22.5	550 x 60 x 22.5	550 x 60 x 22.5	21.3 x 24	28.1 x 26
Overall Width	2400mm (8ft)	2400mm (8ft)	2400mm (8ft)	2400mm (8ft)	2500mm (8ft4in)	2500mm (8ft4in)
Overall Length	5.7m (18ft 8in)	5.7m (18ft 8in)	6.2m (20ft 4in)	6.7m (22ft))	6.7m (22ft))	6.7m (22ft))
Pump Capacity	8000 Litres/min	8000 Litres/min	8000 Litres/min	8000 Litres/min	8000 Litres/min	10000Litres/min
Standard Hose	4.5m (15ft)	4.5m (15ft)	4.5m (15ft)	4.5m (15ft)	4.5m (15ft)	4.5m (15ft)
Axle Dimensions	70 x 70 x 8stud	70 x 70 x 8stud	70 x 70 x 8stud	80 x 80 x 8stud	110 x 110 x 10 stud	110 x 110 x 10 stud
Unladen Weight	1975kg	2100kg	2230kg	2360kg	3620kg	3860kg

Model	2500	3000	3250	3500	3750	4000
Capacity	2480 gallons – 11274 litres	2912 gallons – 13238 litres	3240 gallons – 14729 litres	3500 gallons – 15991litres	3720 gallons – 16911 litres	3980 gallons – 18093 litres
Wheel Size	30.5 x 32	30.5 x 32	550 x 60 x 22.5 tandem	600 x 50 x 22.5 tandem	650 x 55 x 26.5 tandem	710 x 60 x 26.5 tandem
Overall Width	2500mm (8ft4in)	2500mm (8ft4in)	2500mm (8ft4in)	2400mm (8ft)	2500mm (8ft4in)	2500mm (8ft4in)
Overall Length	6.7m (22ft))	6.7m (22ft))	8.0m (22ft))	8.5m (22ft))	8.9m (22ft))	8.9m (22ft))
Pump Capacity	10000Litres/min	10000Litres/min	10000Litres/min	8000 Litres/min	8000 Litres/min	10000Litres/min
Standard Hose	4.5m (15ft)	4.5m (15ft)	4.5m (15ft)	4.5m (15ft)	4.5m (15ft)	4.5m (15ft)
Axle Dimensions	110 x 110 x 10 stud	110 x 110 x 10 stud	110 x 110 x 10 stud	80 x 80 x 8stud	110 x 110 x 10 stud	110 x 110 x 10 stud
Unladen Weight	3750kg	3900kg	4830kg	5000kg	5400kg	5800kg

Please enquire for larger tank specifications.

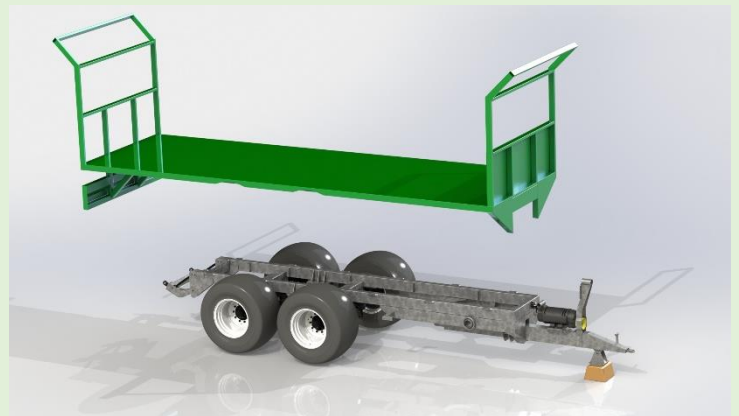
### Other tanker applications

Cross agricultural engineering manufacture a range of tankers for other applications. These uses include: Diesel Bowers, Road Wash Tankers, Truck mounted tankers, drain cleaning tankers and much more.



## Tanker Swap system

Cross agricultural engineering manufacture all tandem tankers on a swappable tanker chassis. The tanker can simply bolt or twist lock off and another machine or trailer is lifted on. This can be retrofit to any cross tandem tanker.



“It’s the Obvious Choice”



Cross Agricultural Engineering is the result of 5 generations of metalworking skills within the Cross Family. This heritage has provided a solid foundation for manufacturing.

This literature is designed for worldwide circulation. Due to continuing policy of product improvement, we reserve the right to alter specifications and constructions without notice. As machines are exported to many different countries, general information, pictures and descriptions are provided; these should be taken as approximate and may include optional equipment that is not part of the standard specification. Please consult your local dealer/distributor for further information.

Cross Agricultural Engineering Ltd.,  
Newtown, Rathangan,  
Co.Kildare  
R51 WR98  
Ireland



Tel: 00353 (0) 45 524134

Fax: 00353 (0) 45 524631

Email: [info@crossagrieng.ie](mailto:info@crossagrieng.ie)

Website: [www.crossagrieng.ie](http://www.crossagrieng.ie)